

# AQUAMATIC® K53 SERIES CONTROL VALVES

CORROSION-RESISTANT CONSTRUCTION WITHSTANDS HARSH MEDIA



## FEATURES/BENEFITS

- Unique Y-pattern design with large seat opening and high lift disc permits higher flow rates at lower pressure loss than other comparable valves
- All components can be serviced while the valve is in-line
- Separate flow and control chambers permit positive closing without springs; and only normal cost for spring assist opening for low-pressure and self-draining applications
- Pre-formed, stress-relieved diaphragm minimizes fatigue, maximizes valve responsiveness and diaphragm lifetime
- Diaphragm acts as an actuator, eliminating the need for electric or pneumatic actuators
- All internal parts in contact with media are made of composite materials\*
- Seals are ethylene propylene for better chemical resistance\*\*

- Two dynamic O-rings on the shaft, with a vent in between the O-rings, to prevent damage to the diaphragm
- Female socket weld connectors for easy installation and the ability to remove the valve without disrupting the service piping
- Valve bodies provided with molded pads that can be used to support the piping manifold
- Cap held by a retaining ring, eliminating screws and nuts; no external metal parts to corrode in aggressive environment
- Available in sizes from 1"-3"
- A variety of end connectors are available to make the valve compatible in pipe sizes from 3/4"-3"
- Adaptable to a wide variety of control devices

## OPTIONS

- Normally open [standard]
- Externally normally closed
- Spring-assist closed
- Spring-assist open
- Fully adjustable limit stop from full-open to full-closed, with a position indicator to show the valve position
- Seal and diaphragm materials for special applications

## TYPICAL APPLICATIONS

- Chemical Injection
- Deionizers
- Desalinization
- Detergent and Bleach Handling
- Electronic Industry
- Evaporation
- Fertilizer Spray Equipment
- Level Control Systems
- Metal Recovery Systems
- Mining Wastes
- Process Water Systems
- Water Treatment Systems

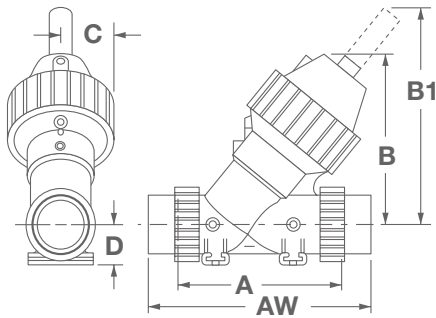
\* Normally closed valve configurations are NOT recommended when used with corrosive fluids.  
 \*\* Valves are NOT recommended for use with any aromatic, hydrocarbon-based media.

## DIMENSIONS

MODEL #	PIPE SIZE	Cv*	WEIGHT (STANDARD VALVE)	WEIGHT (FAIL SAFE VALVE)	DIMENSIONS (APPROXIMATE)					
					A**	AW	B	B1	C	D
K531	0.75", 1.00" (20, 25 mm)	18.0 (15.6 Kv)	1.7 lbs (0.8 kg)	3.0 lbs (1.4 kg)	5.75" (146 mm)	8.12" (206 mm)	6.00" (152 mm)	8.62" (220 mm)	2.04" (52 mm)	1.38" (35 mm)
K534	1.5" (40 mm)	46.0 (39.8 Kv)	4.0 lbs (1.8 kg)	7.5 lbs (3.4 kg)	8.38" (213 mm)	11.00" (279 mm)	8.07" (205 mm)	13.46" (342 mm)	2.62" (67 mm)	1.96" (50 mm)
K535	2.0" (50 mm)	84.0 (72.6 Kv)	8.0 lbs (3.6 kg)	15.0 lbs (6.8 kg)	9.88" (251 mm)	12.88" (333 mm)	9.12" (232 mm)	14.28" (363 mm)	3.18" (81 mm)	2.18" (51 mm)
K537	3.0" (75 mm)	2000 (173.0 Kv)	11.5 lbs (5.2 kg)	27.0 lbs (12.3 kg)	11.13" (283 mm)	15.25" (387 mm)	11.41" (290 mm)	17.06" (433 mm)	3.79" (96 mm)	2.68" (68 mm)

\*Cv is the flowrate in gallons per minute of water at 60°F at 1 pound pressure drop or (Kv) (flowrate in cubic meters per hour of water at (15.5°C) at 1 bar pressure drop).  
 \*\*The "A" dimension is the distance between face to face seal surfaces.

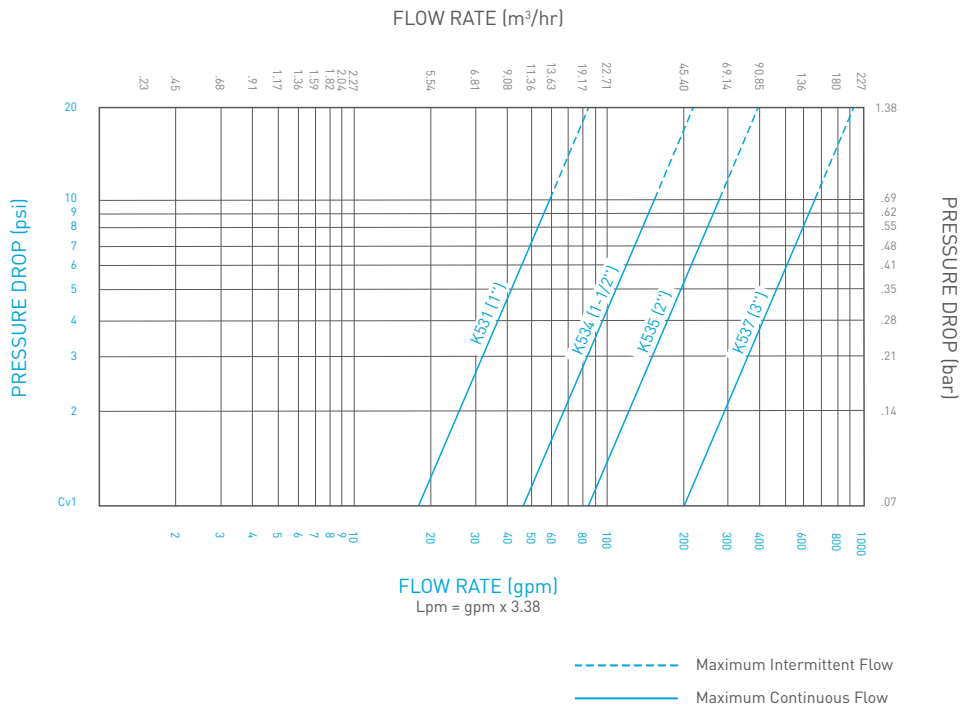
### (Models K531 - K537)



## OPERATING SPECIFICATIONS

Max Pressure	125 psi (8.6 bar)
Max Temperature	140°F (60°C)

## PERFORMANCE DATA



Buy AqMatic Valves | [www.buy-aq-matic-valves.com](http://www.buy-aq-matic-valves.com) | Tel: 336.462.1926

© 2016 Buy AQ Matic Valves. All rights reserved. All AQ Matic trademarks and logos are owned by AQ Matic and are used with its permission. All other registered and unregistered trademarks and logos are the property of their respective owners. Because we are continuously improving our products and services, AQ Matic reserves the right to change specifications without prior notice.